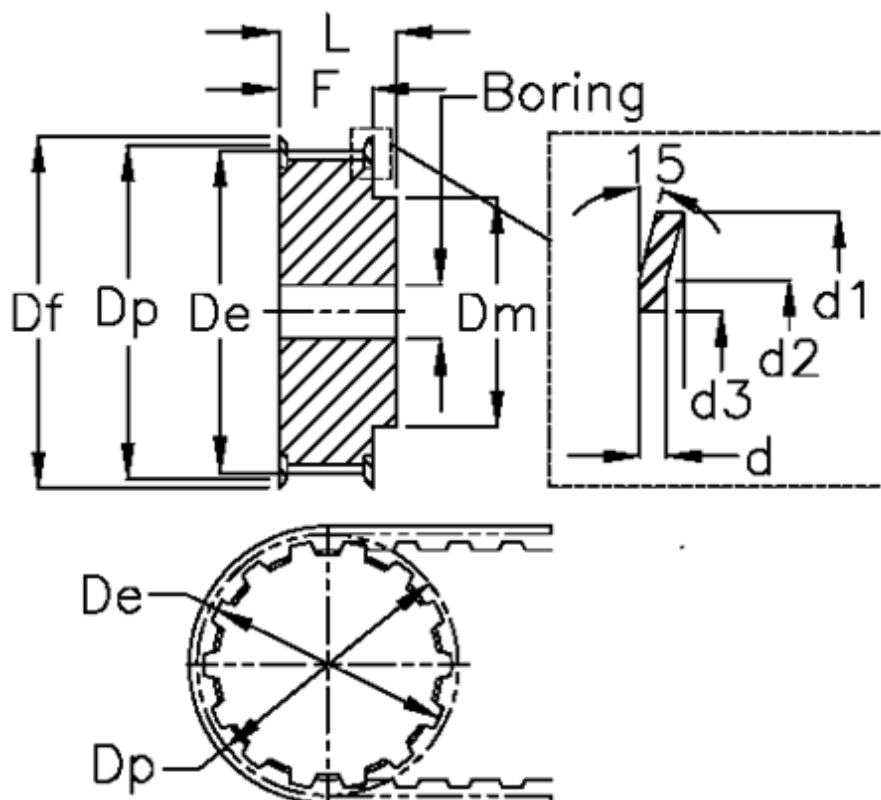


Article number: 60415136032

Description: Timing Belt Pulley 36 T5 32/2

Measures



Belt width = - 25 mm	Dp	= 51.1
d = 1	F	= 30
d1 = 54	Flange type	= F20
d2 = 50.5	L	= 36
d3 = 43	Pre-drilled	= 8
De = 50.1	Tooth number	= 32
Df = 54	Type	= T5
Dm = 38	Weight	= 0.176